

VAA TXP系列限位开关 VAA TXP Series Switch Boxes

VAA TXP系列限位开关适用于本质安全，隔爆，非易燃的应用。

TXP开关盒提供紧凑的安装外壳，提供卓越的性能和外观。TXP可以满足任何ISO / NAMUR安装标准的执行器，无需额外的安装支架。

TXP系列开关的凸轮调整简单易用，开关位置更加精确。

开关位置指示便于快速识别开关状态。

The VAA TXP series limit switch box is suitable for intrinsically safe, flame-proof, non-flammable applications.

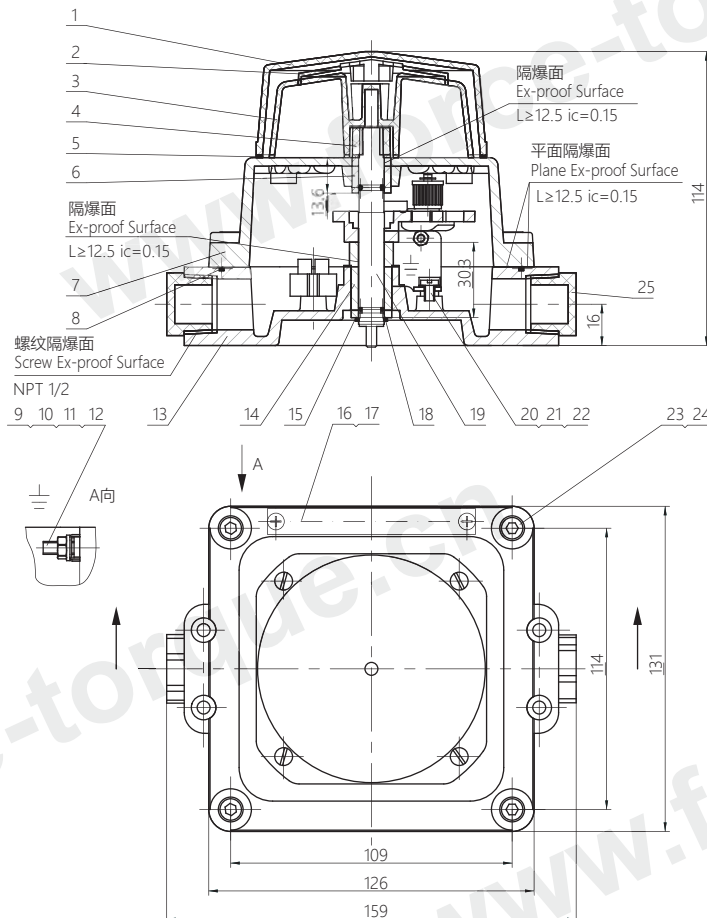
The TXP switch box provides a compact mounting enclosure for superior performance and appearance. The TXP is conformed to any ISO / NAMUR mounting standard actuator without additional mounting bracket.

The cam adjustment of the TXP series switch box is easy and the on/off positions are more precise.

The on/off position indication facilitates quick identification of the valve status.



零件和材料 Parts and Materials



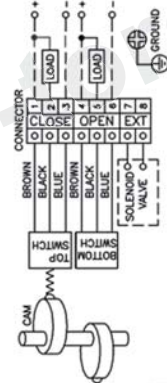
No.	名称 Item	数量 Qty.	材料及规格
1	透明罩 Transparent Cover	1	PC (聚碳酸酯)
2	透明罩衬 Inner Cover	1	ABS
3	指示器 Indicator	1	ABS
4	过渡块 Adapter	1	PA66 (尼龙66)
5	垫片 Washer	1	NBR 丁腈橡胶
6	上轴套 Top Bearing	1	HPb59-1
7	上盖 Top Cap	1	YL102
8	"O"型圈 O-ring 140X2-N-G	1	NBR 丁腈橡胶
9	螺钉 Screw M5X16 A2-70	1	
10	螺母 Nut M5 A2-70	1	
11	垫圈 Washer M4 A2	1	
12	垫圈 Washer M4 A2	2	
13	下盖 Body	1	YL102
14	下轴套 Bottom Bearing	1	HPb59-1
15	挡圈 Retainer 10 A2-70	1	
16	铭牌 Tag	1	SS304-T0.6
17	螺钉 Screw M3X5 A2-70	4	
18	"O"型圈 O-ring 6X2-N-G	1	NBR 丁腈橡胶
19	转轴 Shaft	1	SS303
20	螺钉 Screw M4X8 A2-70	1	
21	垫圈 Washer M4 A2	1	
22	垫圈 Washer M4 A2	2	
23	螺钉 Screw M5X20 A2-70	4	
24	垫圈 Washer 5 A2-70	4	
25	防护螺塞 Plug NPT1/2	2	

订购信息 How to order

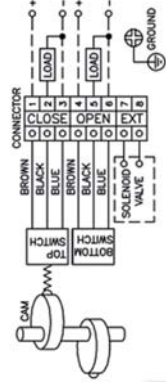
壳体 Enclosure	传感器 Bus/Sensor	应用区域 Area Classification	指示器 Visual Display	轴 Shaft	电气接口 Conduit	O型圈 O-Rings	先导阀 Pilot	阀体 Spool	Cv值 Valve Cv	手动功能 Override	认证 Regional Certs
VAA-TXP	Mechanical Switches	0 Intrinsically safe	G Standard 90°	"N NAMUR 304 SS"	P (2) 1/2" NPT	B Buna-N	Blank No pilot devices	Blank/No spool valve	Blank No spool valve	Blank/No override	Blank/No Regional Cert
Aluminum	M2 (2)Mech SPDT	Ex ia IIC T6	Green OPEN	"L" 1" Extended	M (2) M20	E EPDM	1 (1) 24VDC Pilot, 5W	A Aluminum	1.10Cv	1 Single Pushbutton	N NEPSI
VAA-TXS	M4 (4)Mech SPDT	C Flame Proof	Red CLOSED	Linear Shaft"	E (2) 3/4" NPT	S Silicone	Fail open/closed	hard anodized		Momentary/Latching	R GOST
316 Stainless Steel	T2 (2)Mech DPDT	ATEX/IECEx II2GD			(N/A with Pilot Valve)*	V Viton	4 (1) 220vac	6 316SS		2 Dual Pushbutton	A ATEX
	K2 (2)Mech SPDT	Ex d IIB T6			3 (4) M20		pilot, 19W			Momentary/Latching	
	gold contacts				(N/A with Pilot Valve)		fail open/closed"				
	K4 (4)Mech SPDT				4 (2) 3/4" NPT						
	gold contacts				(2) 1/2" NPT"						
	Proximity Switches				(N/A with Pilot Valve)						
	R2 (2) SPDT 250mA max										
	R4 (4) SPDT 250mA max										
	P2 (2) SPDT 3A max										
	Inductive Sensors										
	E2 (2) p+f N/2+V3-N										
	inductive NAMUR										
	12 (2) Ind prox PNP N/O										



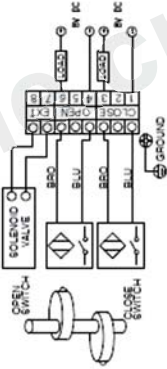
感应式开关 (NPN型式)



感应式开关 (PNP型式)



PROXIMITY SWITCHES (N/2-V3-N)



MECHANICAL SWITCH(2 SPDT)

